



# ADHESIVE SOLUTIONS FOR AUTOMOTIVE DOOR PANELS

## Our Complete Package from Mounting to Protection

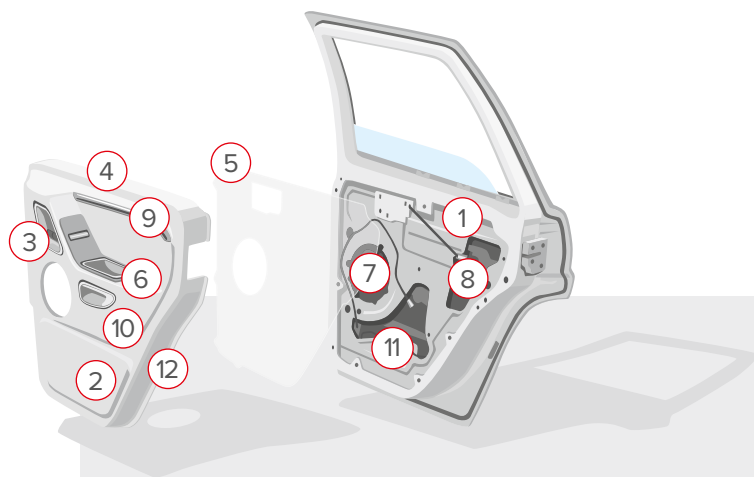
Modern automotive door panels offer high comfort, style, and functionality. This leads to various surface technologies and exacting customer requirements. To make sure every customer demand is met, we develop self-adhesive tape solutions for **door applications**.

It is our business to support you and your production on a daily basis during the entire product development process. We put you and your suppliers first by giving you individual attention and advice for optimal results.

Our **tapes** are ideally suited to the different steps of **door assembly**. Benefits of our system solutions include:

- Permanent mounting of trims, door pads, frames, crash sensors, and different material such as leather, foam, textiles, and plastic
- Enhanced driving comfort through the elimination of buzz, squeak, and rattle, and airborne noise
- Bundling and mounting of harnesses in the door panel
- Reliable mounting of roller blind components
- Surface protection of components such as decorative trims, door panels, door handles, armrests, and door sills against mechanical impact and dust ingress
- Water shield sealing and insulation for indoor panels
- Light blocking for ambient lights
- Mounting of LED FPC and light components

# Always the Right Solution



- |                 |                           |
|-----------------|---------------------------|
| 1. Antenna      | 8. Energy absorber        |
| 2. Door panel   | 9. Decorative trims       |
| 3. Door handle  | 10. Lamps, ambient lights |
| 4. Roller blind | 11. Harnesses             |
| 5. Water shield | 12. Door panel frame      |
| 6. Armrest      |                           |
| 7. Loudspeakers |                           |

## Product overview by function

	Feature	Benefit	Components
<b>Ensured lifelong bonding and sealing</b>			
tesa® 660XX 750XX 4962 62906	<ul style="list-style-type: none"> <li>D/s reinforced transfer and non-woven</li> <li>LSE adhesive</li> <li>'Low VOC' adhesive</li> <li>Anti-repulsion</li> </ul>	<ul style="list-style-type: none"> <li>Excellent bonding of trims and lamination of decorative and LSE surfaces such as foam, leather, fleece, felts, fabrics, and PP plastic</li> </ul>	<ul style="list-style-type: none"> <li>Water shield</li> <li>Armrests</li> <li>Door panel</li> <li>Loudspeakers</li> <li>Energy absorber</li> </ul>
tesa® 4965 51970 51966	<ul style="list-style-type: none"> <li>D/s film</li> <li>'Low VOC' adhesive</li> <li>Tackified acrylic</li> </ul>	<ul style="list-style-type: none"> <li>High bonding on surfaces such as glass, tiles, wood, aluminum, and many types of plastic</li> </ul>	<ul style="list-style-type: none"> <li>Roller blinds</li> <li>Ambient lighting FPC</li> </ul>
<b>Increased driving comfort through elimination of noises</b>			
tesa® 54338 54657	<ul style="list-style-type: none"> <li>Water- and air-tight seal</li> <li>Suitable for paint processes</li> </ul>	<ul style="list-style-type: none"> <li>Closed apertures to reduce airborne noise</li> </ul>	<ul style="list-style-type: none"> <li>Door panel</li> </ul>
<b>Secured bundling and mounting</b>			
tesa® 51036	<ul style="list-style-type: none"> <li>PET cloth</li> <li>Advanced acrylic adhesive</li> </ul>	<ul style="list-style-type: none"> <li>Bundling of harnesses to prevent abrasion</li> </ul>	<ul style="list-style-type: none"> <li>Harnesses inside door panels</li> </ul>
tesa® 516XX	<ul style="list-style-type: none"> <li>PET fleece</li> <li>Rubber adhesive</li> </ul>	<ul style="list-style-type: none"> <li>Bundling and mounting of harnesses to prevent rattling and abrasion</li> </ul>	<ul style="list-style-type: none"> <li>Harnesses inside door panels</li> </ul>
tesa® 50118	<ul style="list-style-type: none"> <li>S/s PET fleece</li> <li>'Low VOC' adhesive</li> </ul>	<ul style="list-style-type: none"> <li>For high bonding, quick and secure mounting of cables on rough surfaces with excellent damping properties</li> </ul>	<ul style="list-style-type: none"> <li>Harnesses of antenna</li> <li>Harnesses inside door panels</li> </ul>
<b>Increased driving comfort through elimination of buzz, squeak, and rattle</b>			
tesa® 606XX 50118	<ul style="list-style-type: none"> <li>S/s thick PET fleece</li> <li>'Low VOC' adhesive</li> </ul>	<ul style="list-style-type: none"> <li>Excellent protection to reduce BSR (buzz, squeak, and rattle)</li> </ul>	<ul style="list-style-type: none"> <li>Decorative trims</li> <li>Door panel</li> <li>Window lift mechanism</li> </ul>
tesa® 51207 51217	<ul style="list-style-type: none"> <li>UV stability</li> <li>Ultra-high molecular weight polyethylene film with outstanding abrasion resistance</li> <li>Acrylic adhesive</li> </ul>	<ul style="list-style-type: none"> <li>Protection of delicate components and excellent gliding properties to eliminate squeak noises and part wear</li> </ul>	<ul style="list-style-type: none"> <li>Door panel</li> <li>Window lift mechanism</li> </ul>
<b>Enhanced light blocking</b>			
tesa® 7100	<ul style="list-style-type: none"> <li>S/s black PET film and adhesive</li> </ul>	<ul style="list-style-type: none"> <li>Excellent light blocking to prevent light dissipation</li> </ul>	<ul style="list-style-type: none"> <li>Lamps, ambient lights</li> </ul>
<b>Surface protection to reduce risk of damage</b>			
tesa® 7133	<ul style="list-style-type: none"> <li>S/s thick PP film</li> <li>UV-resistant adhesive</li> </ul>	<ul style="list-style-type: none"> <li>Universal surface protection for painted and unpainted components</li> </ul>	<ul style="list-style-type: none"> <li>Decorative trims</li> <li>Door sills, door panels, and handles</li> </ul>
tesa® 5113X	<ul style="list-style-type: none"> <li>S/s flexible PE film</li> <li>Acrylic adhesive</li> </ul>	<ul style="list-style-type: none"> <li>Protect sensitive surfaces from dust and damage</li> <li>For polar and non-polar substrates combined with demanding 3-D geometries</li> </ul>	<ul style="list-style-type: none"> <li>Decorative trims</li> <li>Armrests</li> <li>Loudspeakers</li> </ul>

tesa® products prove their impressive quality day in, day out in demanding conditions and are regularly subjected to strict controls. All technical information and data above mentioned are provided to the best of our knowledge on the basis of our practical experience. They shall be considered as average values and are not appropriate for a specification. Therefore tesa SE can make no warranties, express or implied, including, but not limited to any implied warranty of merchantability or fitness for a particular purpose. The user is responsible for determining whether the tesa® product is fit for a particular purpose and suitable for the user's method of application. If you are in any doubt, our technical support staff will be glad to support you.