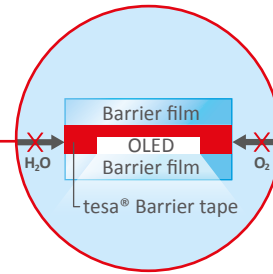


barriertapes

Solutions for Lateral (XY-Direction) OLED Encapsulation

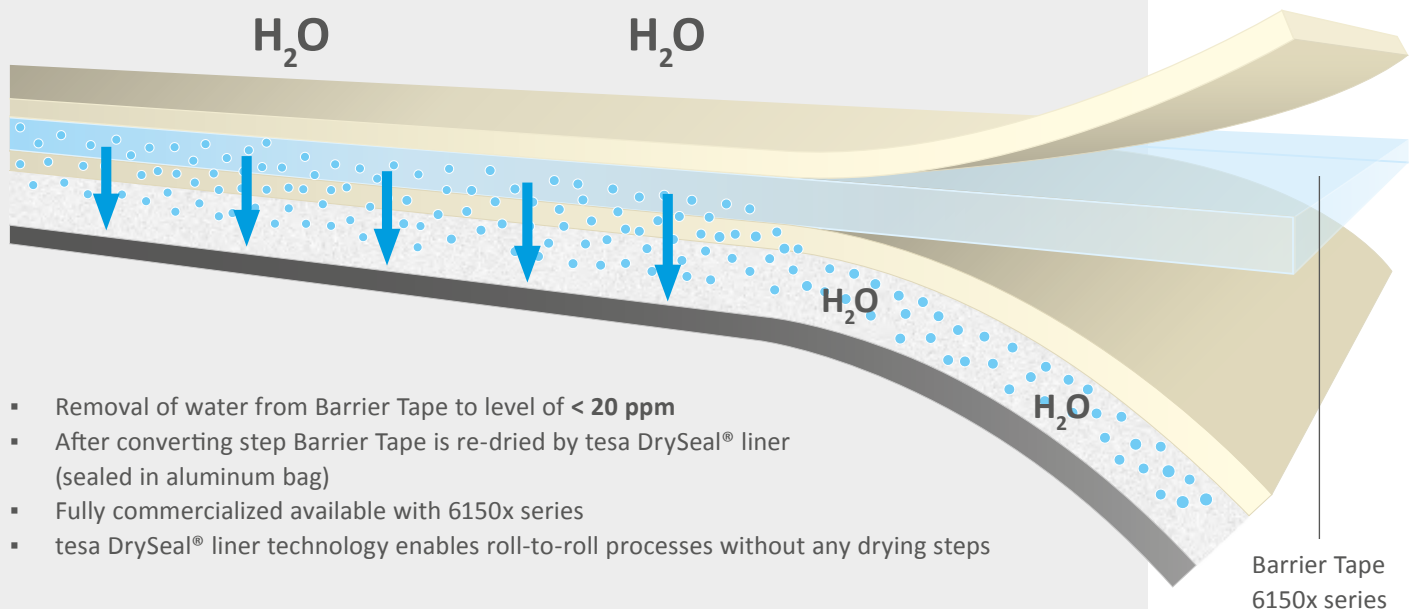


General features:

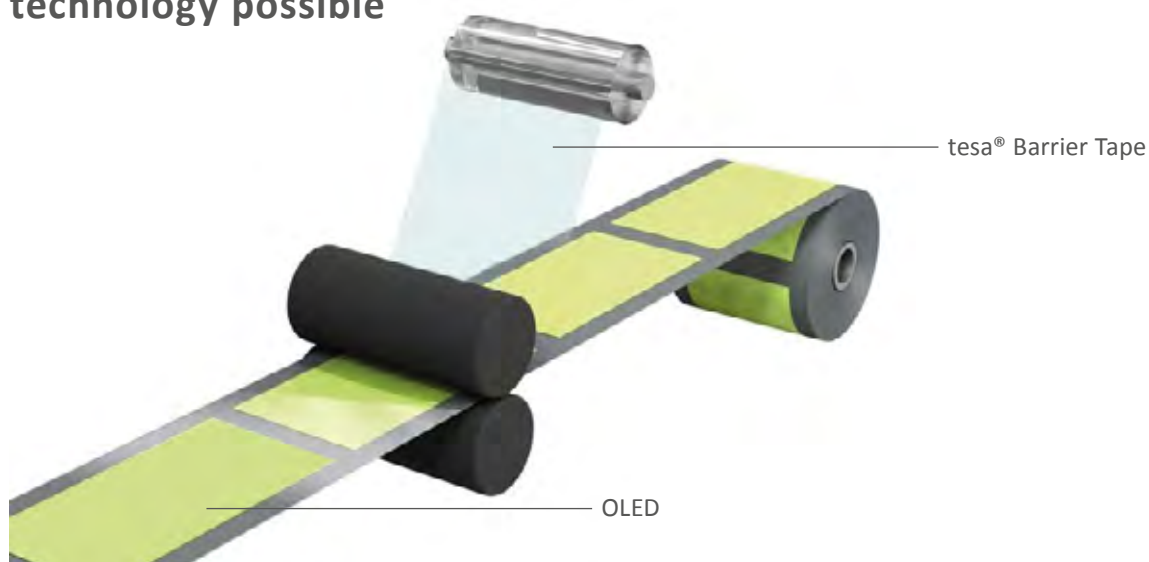
- Superior barrier performance
- Excellent optical properties
- Suitable for rigid and flexible OLEDs

		Barrier Tapes	
		tesa® 6156x series	tesa® 6150x series
Product series			
Adhesion system		PSA (Pressure Sensitive Adhesive)	UV-curable adhesive
Calcium test with 6.5 mm edge width / test conditions 60°C/ 95% r.h. / covered with glass on both sides			
Barrier performance			
Special features		<ul style="list-style-type: none"> ▪ High barrier performance ▪ Suitable for flexible and rigid devices ▪ Good optical properties ▪ No outgassing 	<ul style="list-style-type: none"> ▪ Superior lag-time ▪ Suitable for flexible and rigid devices ▪ Excellent optical properties ▪ Superb gap filling performance ▪ Very high bonding strength ▪ No outgassing

tesa DrySeal® liner technology



Immediate roll-to-roll process with tesa DrySeal® liner technology possible



electronics.tesa.com

E-mail: electronics@tesa.com

tesa® products prove their impressive quality day in, day out in demanding conditions and are regularly subjected to strict controls. All technical information and data above mentioned are provided to the best of our knowledge on the basis of our practical experience. They shall be considered as average values and are not appropriate for a specification. Therefore tesa SE can make no warranties, express or implied, including, but not limited to any implied warranty of merchantability or fitness for a particular purpose. The user is responsible for determining whether the tesa® product is fit for a particular purpose and suitable for the user's method of application. If you are in any doubt, our technical support staff will be glad to support you.

04/2016

tesa
great to work with