



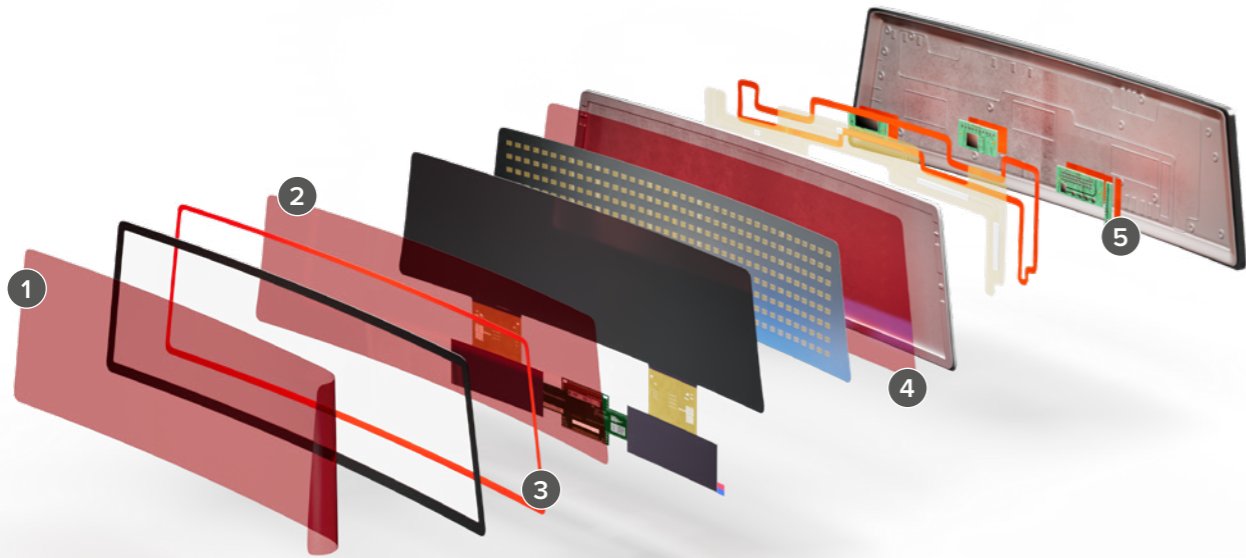
Let's navigate the future
of automotive HMI together

Adhesive solutions for new display designs

Your development partner for the future of connected automotive interiors

Are you shaping the future of Human Machine Interfaces (HMI) in the automotive sector and looking for a global partner who can support you with reliable, cost-effective, and contemporary products?

We enable reliable and efficient production processes for next generation HMI. Regardless of whether you're dealing with a large curved display, a head-up display, or a smart surface, we offer a variety of adhesive-tape solutions that will allow you to create the interior designs and shapes of the future. Our products are constantly adapted to new OEM requirements and trends. Take a look at the different applications we support.



- 1 Surface protection
- 2 Optical bonding
- 3 Display frame mounting
- 4 Thermal management
- 5 Shielding/grounding

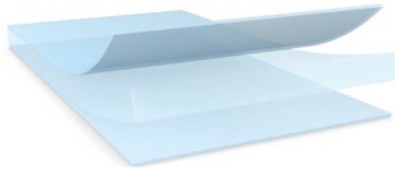
Optical integration

tesa® optically clear adhesives (OCA) are engineered specifically for automotive displays to deliver outstanding visual quality. By maximizing light transmission and minimizing reflection, they help create bright, sharp, and easy-to-read displays. At the same time, improved shock absorption and stress relaxation support long-term reliability in demanding vehicle environments. The result is a premium display experience with high-definition images and consistent performance. tesa® OCA can be used across a wide range of substrates, including glass, plastics, and decorative films.

We are your partner for advancing and optimizing your display optical bonding process. Our experienced engineers work closely with you to find the best solution for your application. With tesa® OCA, you benefit from a fast, stable, and reliable production process compared to liquid or

hybrid alternatives – especially when designing curved, seamlessly integrated, or non-rectangular automotive displays. Automotive display assemblers select OCA because of the significantly reduced process complexity and the reduced number of process steps.

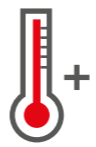
Our standard solution for automotive LCD is tesa® OCA 887xx. To further reduce lamination scrap rates, we offer two complementary products: tesa® 88710S, delivering outstanding particle contamination property to make lamination less sensitive to the production environment; and tesa® 882xx, renowned for its anti-mura performance, significantly lowering optical bonding scrap rates.



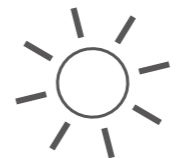
What are you looking for:

Product	tesa® 887xx	tesa® 88710S	tesa® 882xx	tesa® 880xx
Feature	Compensation of tolerances	Partical contamination	Mura free	Outgassing resistance
OCA Type	PSA	PSA	PSA	PSA
Thicknesses [µm]	200, 250, 300 & 500	250	250 & 500	50, 100, 150, 200, 250 & 300
Focus cover material	Glass	Glass	Glass	Plastics
Focus display technology	LCD	LCD	LCD	LCD
tesa® differentiation	Easy lamination	Efficient partical contamination	Outstanding anti mura performance	Outgassing resistant

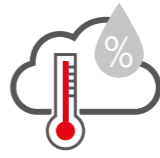
Our OCAs pass all crucial automotive environmental tests, like:



High temperature endurance 105 °C for min. 1000 h



UV sun endurance DIN 75220 Z-IN-1



High humidity 85 °C / 85 % rel. hum. for min. 1000 h



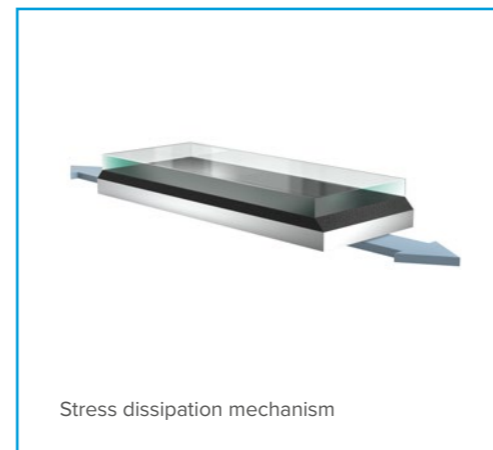
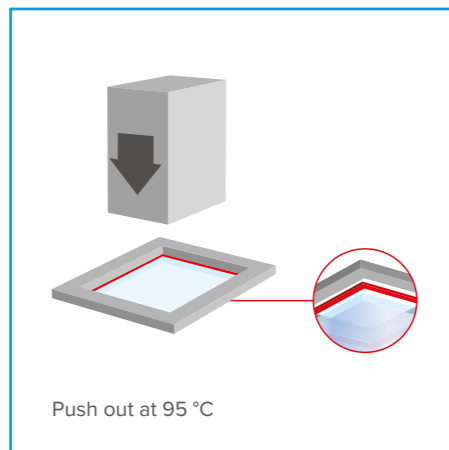
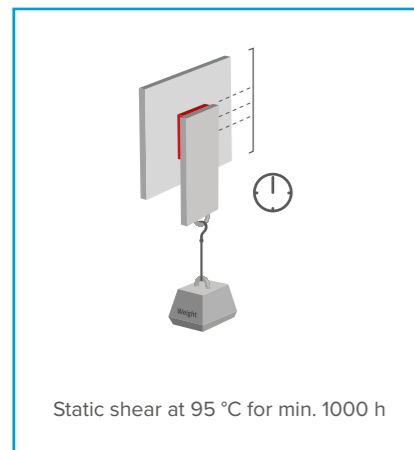
Scan this code or click **here** for further information

Tapes for secure mounting

Our automotive display mounting solutions are designed to meet the demands of next-generation vehicle displays, including large and curved designs as well as smartphone-like narrow bezels and frames. As mechanical loads are increasingly concentrated in smaller areas and must withstand demanding environmental conditions, reliable performance becomes critical. To address this, we have developed a dedicated tape portfolio based on PE foam and acrylic technologies, specifically tailored to meet automotive safety and durability requirements.

Product	tesa® 625xx	tesa® 78xx	tesa® 6105x	tesa® 707x
Key characteristics	Well-balanced alternative for small devices and high cap filling requirements	Approved in most OEM value chains with superior push out resistance	Allrounder with well-balanced performance profile	Excellent for zero slipping even at high temperature applications
Focus application	Embedded display designs	Embedded display designs	Free floating display designs	Free floating display designs
Available thickness [µm]	500 & 800	500, 800, 1100, 1200, 1500 & 2000	300, 350 & 400	500, 1000 & 1500
Puch out resistance @ 95°	●●	●●●	●●	●●
Static shear resistance @ 95°	●	●●	●●	●●●
Light blocking	No	Yes	Yes	No
Adhesive type	PE foam	Acrylic foam	Acrylic foam	Acrylic foam

Our mounting tapes pass all crucial automotive environmental tests, like:



Automation for display frame mounting

As automotive display frames become increasingly narrower, the need for innovative bonding solutions has never been greater. Our **tesa® NarrowSeal automation** is specifically designed to address this trend, offering a seamless and efficient alternative to conventional mounting solutions.



The right combination of adhesion and cohesive strength

Our high-performance tape is engineered to adhere seamlessly to all essential display components, including PC, magnesium/aluminum, steel, and various clear coats. With instant adhesion, it enables processes like **cold bending** while maintaining exceptional shear resistance — **no creep**, ensuring your display stays securely in place even under extreme temperatures.

Built for durability:

- Withstands display stack weights up to 40 times the bonding area (g/cm³)
- Performs reliably from -40°C to 95°C
- Provides superior shock resistance while offering 20% part tolerance compensation relative to tape thickness

Advantages of tesa® NarrowSeal:

- **Innovation:** Integrates the strengths of both, liquid glue and tape
- **Efficiency:** Zero curing time for optimized production speed
- **Precision:** Robust, clean, and automated application process allowing high design flexibility in narrow frame displays
- **Performance:** Matches the high performance of traditional liquid adhesives

Product	Backing	Total thickness [µm]	Type of adhesive	Elongation at break [%]	Dynamic shear [Mpa]	Color
tesa® 727xx	Foamed acrylic	850 / 1200	Acrylic	500	0.6	Deep black
tesa® 728xx	Foamed acrylic	800 / 1100	Acrylic	1400	0.8	Black

Easy and reliable automation

Applicator features:

- Stretch-free dispensing with speeds of 250 mm/s
- Tape application without liner
- Integrated high precision cutting unit
- Integrated in line plasma treatment

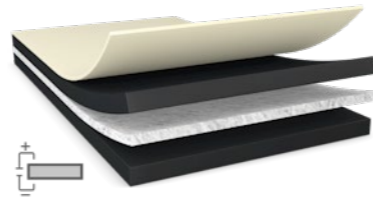
Application design features:

- The automation solution is highly flexible, enabling curves down to a 2mm radius with 2mm-wide tape.
- Sealing: Both ends of the tape are applied parallel to each other – side stickiness yield perfect tightness



Grounding and shielding solutions

As vehicles integrate an increasing number of electronic systems, ensuring reliable electromagnetic compatibility becomes more challenging. Different units must operate without interference, while additional handheld devices add further complexity. To ensure the reliable functionality of each component, we offer a broad portfolio of electrically conductive tapes (ECT) that support effective grounding and shielding solutions.



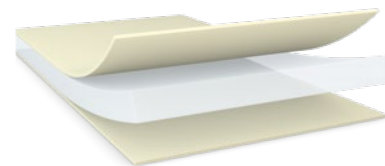
When selecting ECTs, we help identify the optimal balance between strong adhesive performance – such as peel-off force – and the required electrical conductivity for your application. In addition, electrically conductive foams can be integrated into the tape construction, providing added gap-filling capability and greater design flexibility.

Series	tesa® 6026x	tesa® 6023x	tesa® 6031x	tesa® 6021x	tesa® 6024x
Feature	Balanced properties	Modern, matte black design	Low-pressure activation, high conductivity	Excellent electrical conductivity	Abrasion resistance
Available thickness [µm]	17, 25, 35 & 50	25, 35, 45 & 55	30 & 50	200, 300, 1,500 & 2,000	300, 500 & 700
Contact resistance [Ohm / inch²]*	0.02	0.05	0.03	0.03	0.03
Adhesion to steel [N/cm]*	5.6	6.5	4.6	8.3	6.3
Peel to SUS	8.3	4.5	5.3	8.3	6.3
Color	Gray	Matte black	Orange	Gray	Gray

* Reference IBNRs: 60262 (50 µm); 60232 (35 µm); 60317 (30 µm); 60214 (300 µm); 60248 (500 µm)

Thermal management

With the increasing amount of chips in smaller package spaces, the demand for easy-to-apply thermal management solutions has also increased. tesa® thermally conductive tapes set up a reliable heat transfer path when mounted between the heat source and heat sink.



Series	tesa® 6074x	tesa® 5832x	tesa® 5839x
Feature	Lamination/mounting, very good bonding/wetting, good conductivity	Gap filling, great conductivity, very good electrical insulation	Mounting, good conductivity, good electrical insulation
Available thickness [µm]	10, 30, 50 & 100	1200, 1500 & 2000	125, 250, 400 & 800
Thermal conductivity [W/mK]*	1.0	> 2.0	0.8
Thermal impedance [Kcm² /W]*	0.6 – 1.1	5.6 – 9.6	2.4 – 11.7
Peel adhesion to steel*	4.5	0.5	5.0 – 7.0

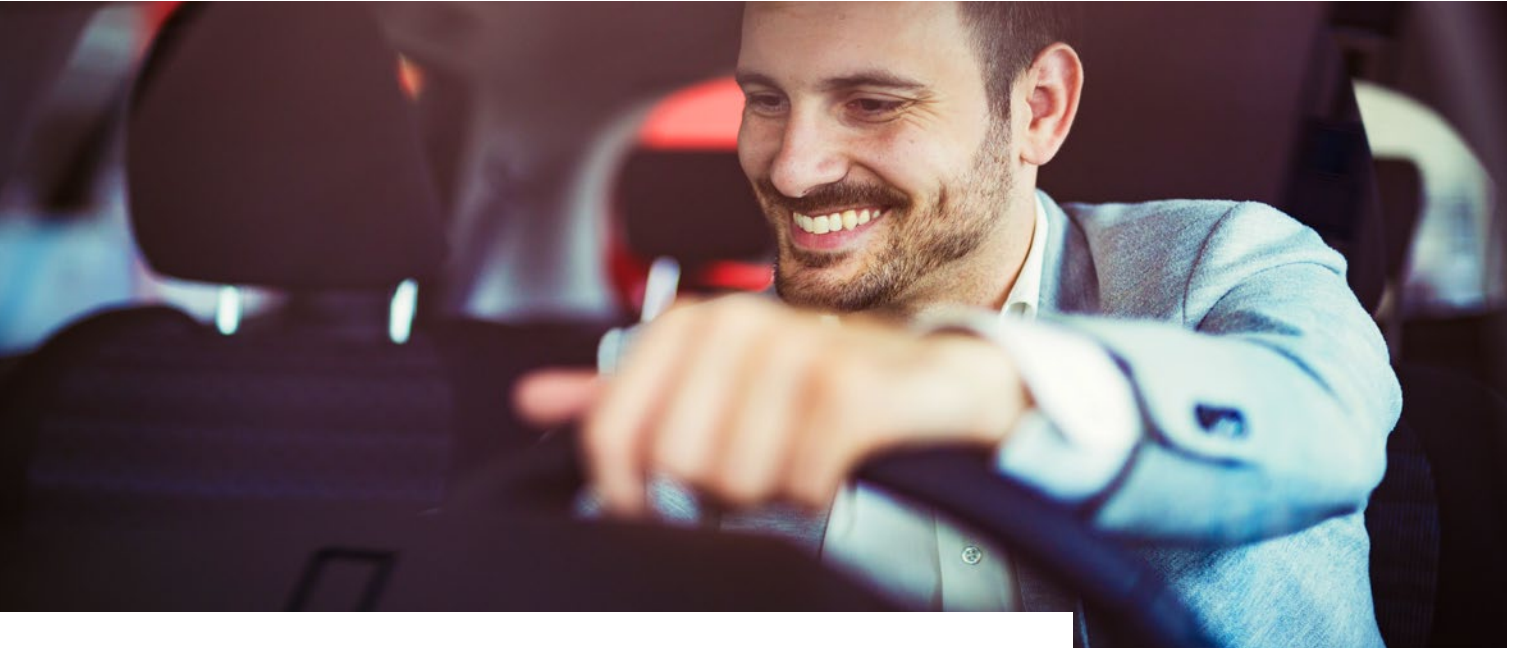
* Reference IBNRs: 58394; 60745; 58326

Temporary surface protection

To ensure scratch free delivery of display components from supplier to end user, reliable surface protection is important. We offer a focus portfolio of transparent protection films that are easy to remove despite typical automotive aging conditions.

Product	tesa® 66514	tesa® 50551 PV1	tesa® 4848 PV1
Key characteristics	Premium display protection tape with excellent long-term aging stability and easy peeling	Excellent long-term aging stability and very low electrostatic properties	Surface protection standard tape for general purpose
Available thicknesses [µm]	40	70	48
Residue free removability after aging	Yes	Yes	Yes
Optical Properties after aging	●●●●	●●●●	●
Adhesion to glass [N/cm]	0.1	0.9	0.9
Electrostatic potential [kV]	< 6	< 2	< 5

All products are not produced under clean room conditions and do not have antistatic treatments. Test conditions for residue free removability after aging and optical properties after aging: 7d at RT, 300h at PV 1200 and ISO 4892-2.



Certifications

Our company is focused on international quality, environmental, and occupational safety standards.

Please find more information regarding our certifications at:
www.tesa.com/certifications

tesa SE
Phone: +49 40 88899 101
tesa.com/company/automotive

tesa.com